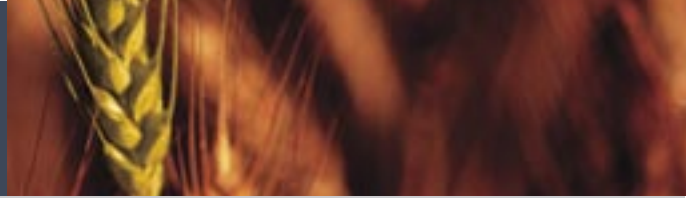
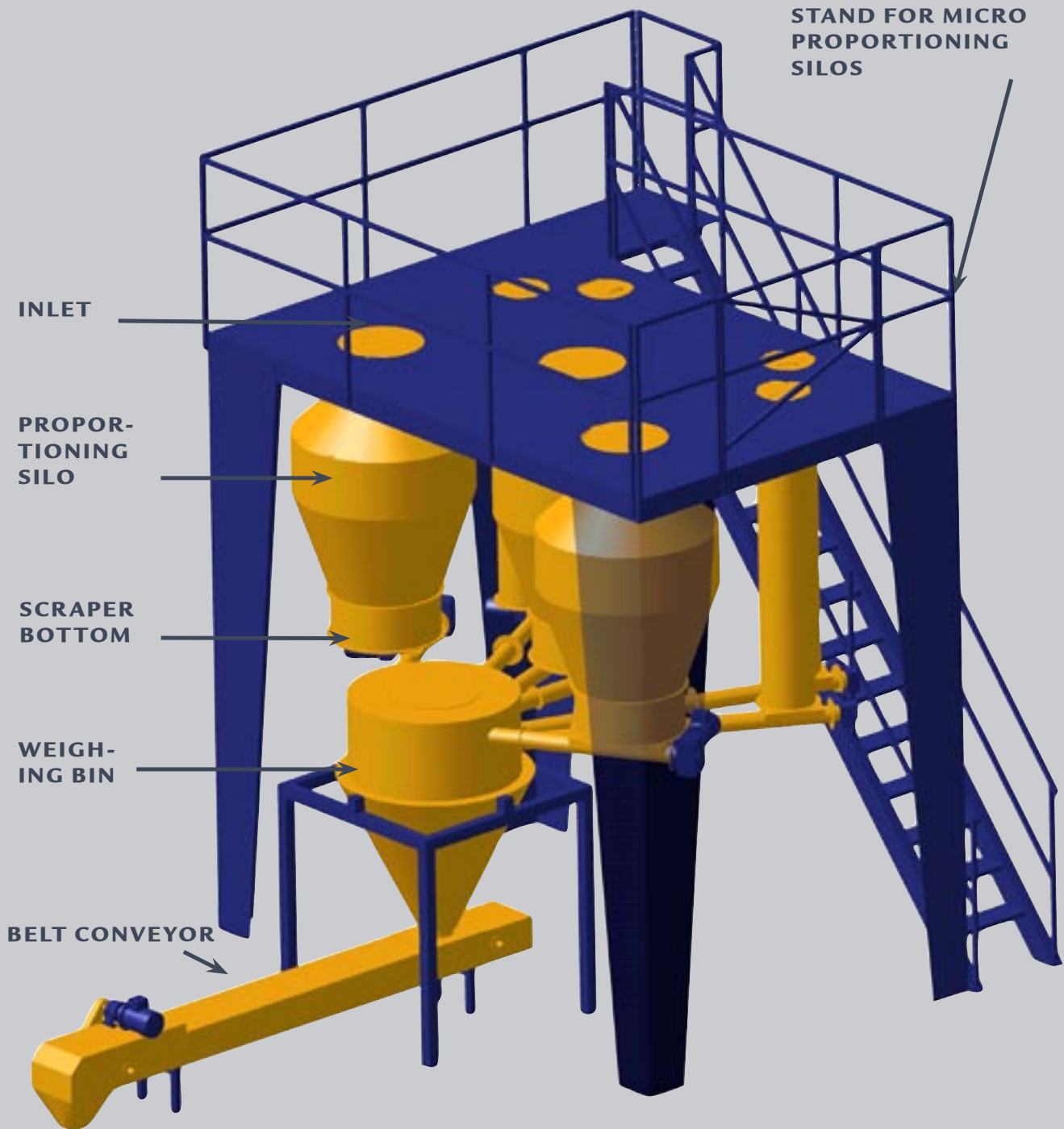


**SKIOLD MAKES  
THE DIFFERENCE!**



# MICRO PROPORTIONING PLANT

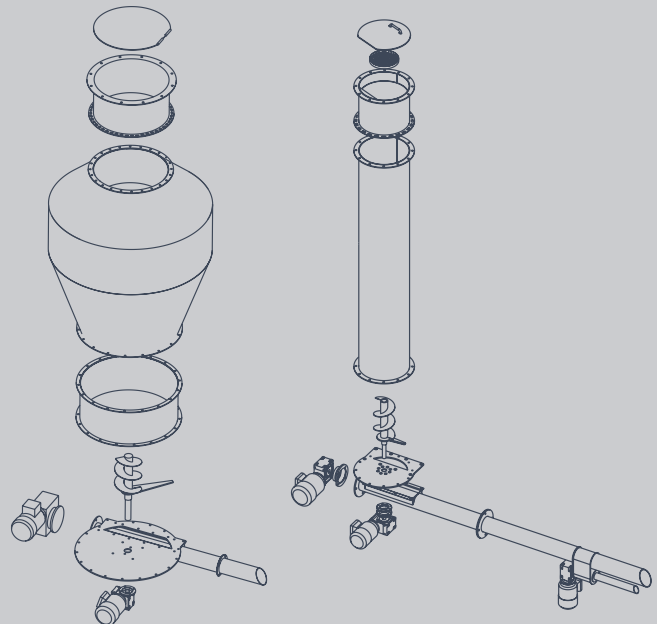
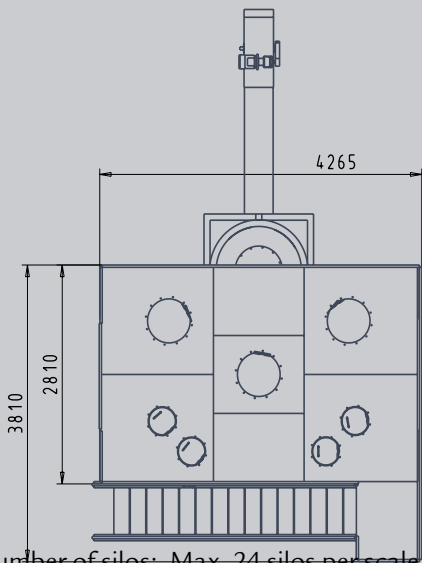
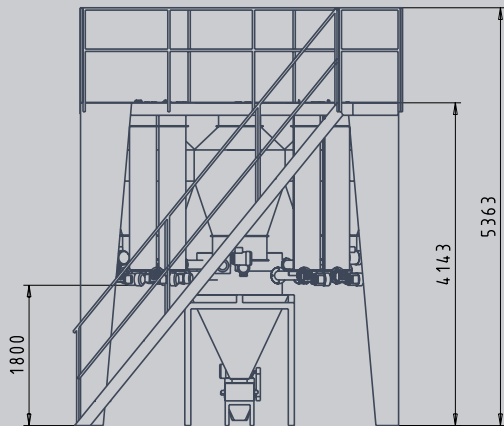


**SKIOLD**

**SKIOLD MAKES  
THE DIFFERENCE!**

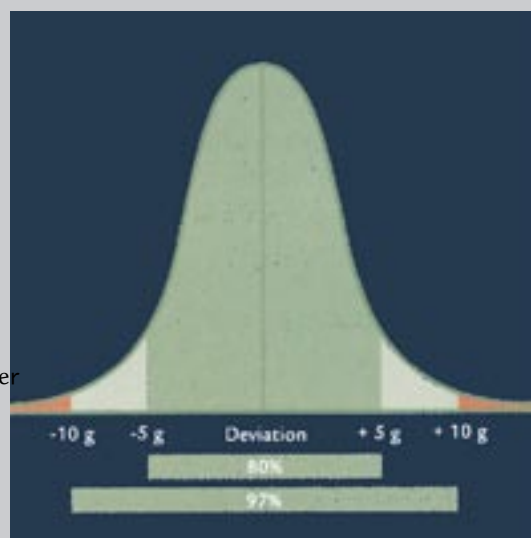


# MICRO PROPORTIONING PLANT



Number of silos: Max. 24 silos per scale  
 Execution: Painted or stainless  
 Scale sizes, kg: 5-10-20-30-50  
 Silo sizes, mm: Ø350 - Ø550 - Ø700 - Ø1000 - Ø1200  
 Motor sizes: 2.2 kW T100 auger  
 0.55 kW T30 auger  
 1.5 kW - 3 kW scraper

bottom



SKIOLD Reklame & Marketing - CB-2005.02.02 - All Rights Reserved.



**SKIOLDA/S**  
 Kjeldgaardsvej 3  
 DK-9300 Sæby · Denmark  
 Tel: +45 99 89 88 87  
 Fax: +45 99 89 88 77  
 www.skiold.com · skiold@skiold.com



**Vacuum & Milling Solutions**  
 PO Box 869  
 Jimboomba Qld 4280 . Australia  
 Ph: 0417 447 952  
 Fax: 0755 477 677  
 Email: martin@vacmillsolutions.com.au  
 www.vacmillsolutions.com.au